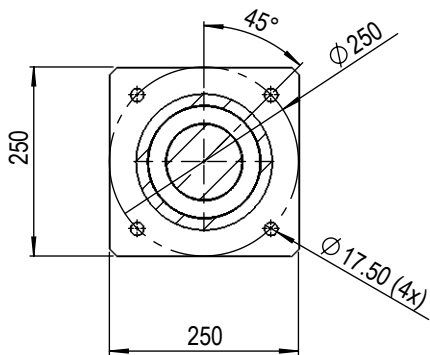


75 (Piston Thickness)

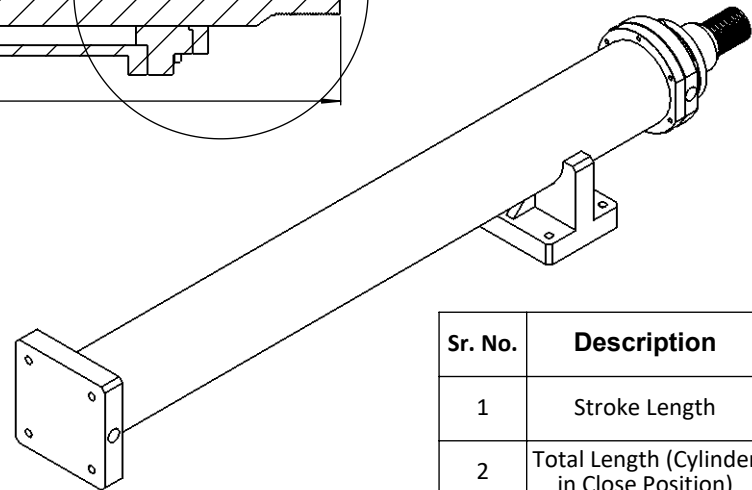
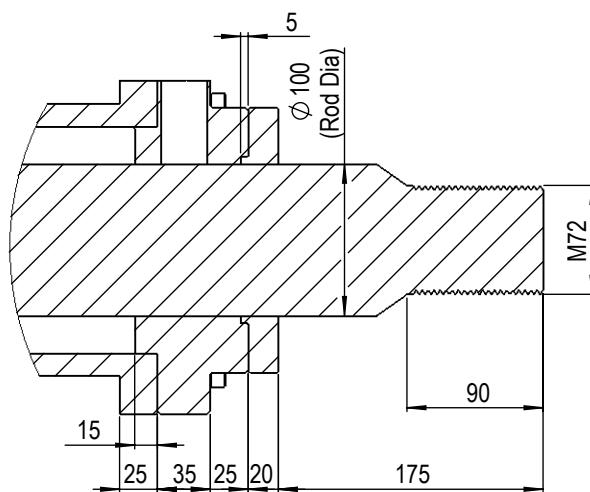
SECTION A-A

1850

SECTION C-C



DETAIL B
SCALE 1 : 5



Sr. No.	Description	Specification
1	Stroke Length	1500 mm
2	Total Length (Cylinder in Close Position)	1900 mm
3	Total Length (Cylinder in Open Position)	3400 mm

Note:-
01. All dimn. are in mm.
02. All sizes are approx. sizes

This document is the sole property of HYDRAULIC INDIA CORPORATION. Any re-construction of this document is completely prohibited.

NAME	DATE	SIGN.	HYDRAULIC INDIA CORPORATION Plot No: 17, Street No:- 3, SMIE, Phase-1, 20/2 Mathura Road, Mujesar, Faridabad-121004
DRAWN BY: R.K	17-Apr-21		
CHECKED BY: R.K			
APPD. BY: A.G			PROJECT NAME:
MATERIAL:			TITLE: HYDRAULIC CYLINDER
			DRG. NO. HDC1801001500
			REV:- 00 SHEET: A4